



Italkero

Wall gas stoves
- NATURAL -



SC



SV, SE

Eco
SC - SV - SE

USER

CE

0476
CR1228

Contents

Basic safety rules	Page 5
General information	“ 6
Getting to know your convection heater	“ 8
Using the convection heater	
- commissioning	“ 10
- setting the clock and timer	“ 14
- setting the room thermostat	“ 15
Prolonged disuse	“ 16
Cleaning	“ 17
Maintenance	“ 17
Troubleshooting	“ 18

Dear client,
Thank you for choosing our convection heater,
a modern, high quality,
high performance product which will provide you outstanding comfort,
silent operation and safety over its long service life.
To get best results from your appliance,
please have it regularly serviced and repaired with the manufacturer's
original spare parts by an Authorised Technical Service Centre.
You can also stipulate a Scheduled Service Contract,
which will cost you less in case of need.

This instruction booklet is intended to provide
you with important information;
please follow these instructions
when using your convection heater.
Thank you again for choosing ITALKERO.

Your convection heater

is covered by a
WARRANTY

which runs from the date of certification by your local
Technical Service Centre,
available on our website
or by phoning the manufacturer directly.
Please contact the Technical Service Centre,
which will provide the following

FREE SERVICES

- commission your convection heater.

- ratify the WARRANTY
furnished with the appliance;
we suggest you read the certificate carefully.

The Technical Service Centre will give
you good advice on how to get the most from your convection heater

Our CONVECTION HEATERS

are conforming with:

- Gas Directive 90/396/EEC
- Electromagnetic Compatibility Directive 89/336/EEC
- Low Voltage Directive 73/23/EEC

CE 0476

The following symbols are used in the manual:

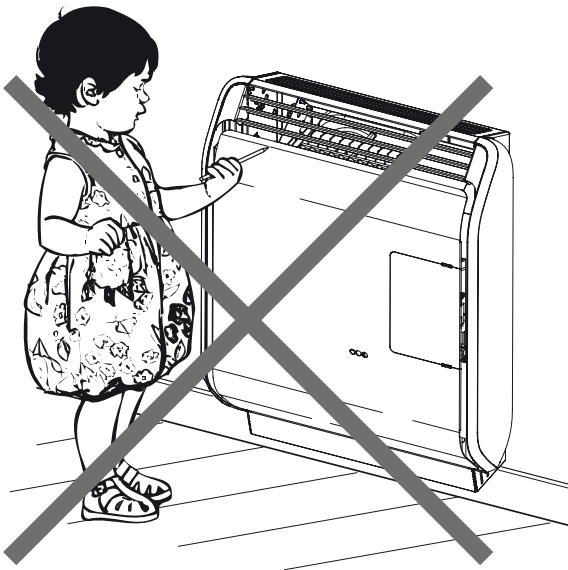
 CAUTION = indicates actions which demand special care and preparation

 PROHIBITED = indicates actions which MUST NOT be done.

BASIC SAFETY RULES

When using a product with combustion or electrical energy, always follow basic safety precautions to reduce the risk of injury. Read this manual carefully to learn its use and limitations as well as potential hazards associated with its use.

- Do not allow children or unsupervised disabled persons access to the convection heater.



- Do not use this product in the presence of an explosive gaseous fume.

Should you do so:

- ventilate the room by opening the doors and windows;
- close the fuel/gas supply cock;
- contact Technical Service or a qualified technician immediately.

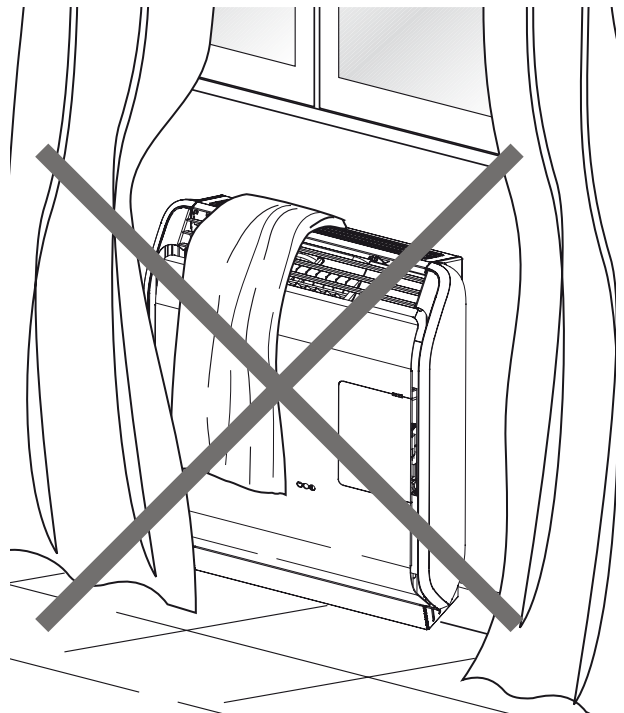
Do not touch the convection heater when barefoot, or when wet.

Do not touch the grille when hot air is coming out of it.

Always unplug the appliance before cleaning any part of it.

Do not pull, take apart, or twist the electrical cables running from the convection heater, even if when they are disconnected from the mains.

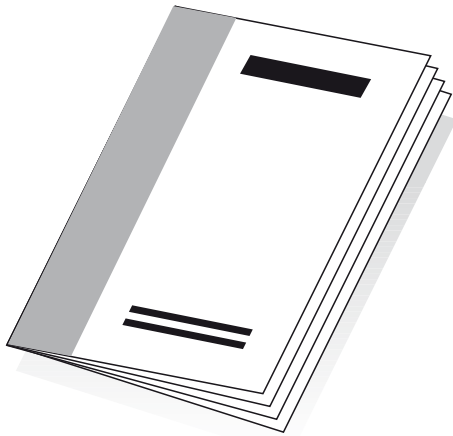
Do not place towels, dishcloths, doilies or any other such objects on the convection heater; they can cause malfunctions or even serious danger.



GENERAL WARNINGS

⚠ This booklet is an integral part of the appliance and must be kept carefully and ALWAYS accompany the convection heater when it is handed on to another user or installed in another system.

If it is damaged or lost, please request a new copy from your local Technical Service.



⚠ The convection heater must be installed by a technician qualified pursuant to Italian Law 5 March 1990 n° 46, who will issue a declaration of conformity with the installation regulations and instructions provided by the manufacturer in the included booklet.



⚠ The convection heater must be used for the purpose specified by the manufacturer.

The manufacturer is not liable in anyway for damage or injury to persons or animals resulting from incorrect installation, adjustments or improper use of the appliance.

⚠ If the convection heater is not used for a long time, the following procedure must be completed:

- set the appliance's master switch to OFF;
- set the master switch of the installation (if present) to OFF or pull its power plug;
- close the gas supply cock.

GAS CONVECTION HEATER, TYPE C, SEALED CHAMBER, FOR HEATING.



ECO SC



**ECO SV
ECO SE**

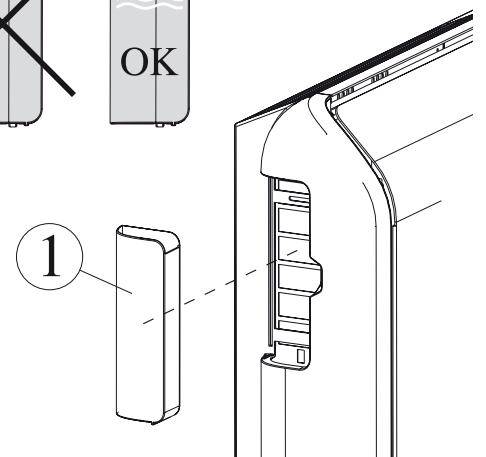
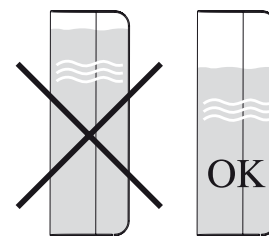
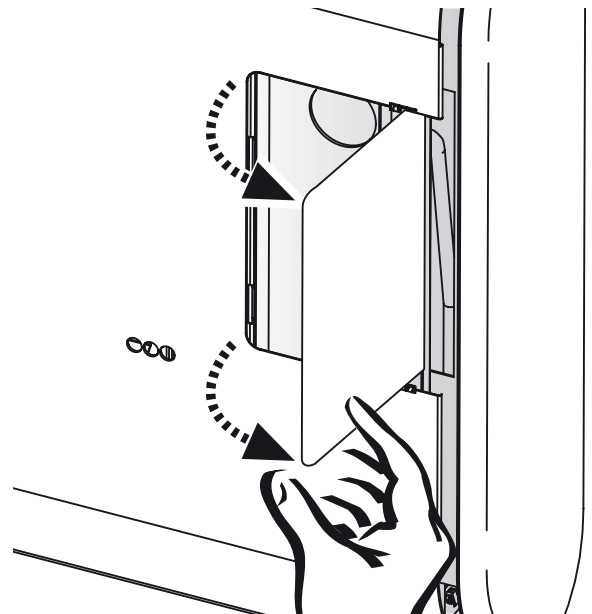
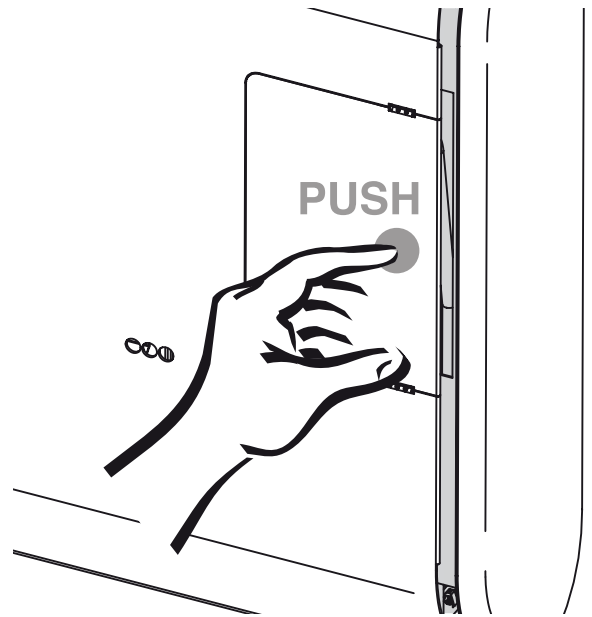
GETTING TO KNOW YOUR CONVECTION HEATER

It is a standalone gas appliance, with atmospheric burner, high performance, suited for room heating.

It has a Type C combustion circuit with sealed combustion chamber; totally isolated from the room in which it is installed, for unbeatable occupant safety.

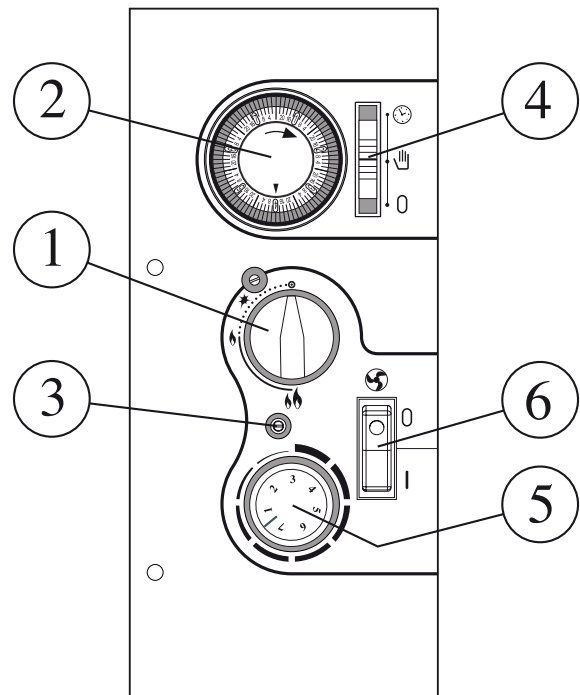
It also uses (in certain models) a very quiet tangential fan, which quickly heats the room to the required temperature.

SC convection heaters do not have a fan, SV heaters have a fan which is actuated by a switch (regardless of the power setting), and SE heaters have a fan which is controlled automatically by the power setting (MIN power - fan stopped, MAX power - fan running). All appliances have an accident-proof door to protect the control panel and tray for humidifying the room.



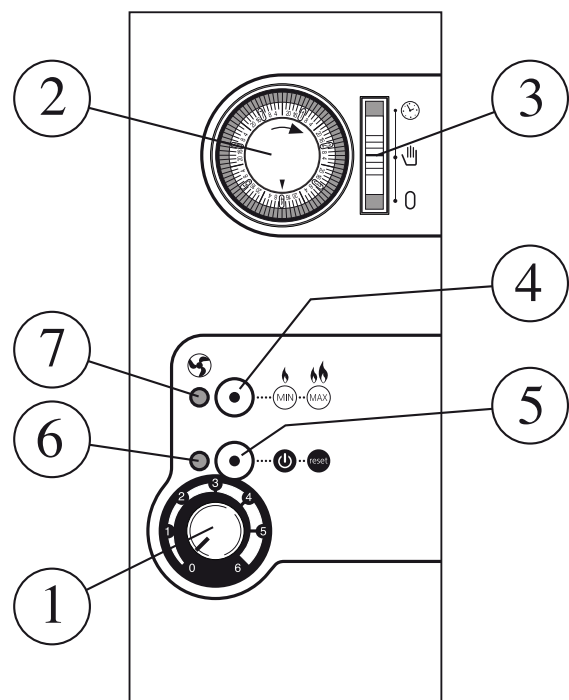
ECO SC / SV

- 1) Ignition/command knob.
- 2) Timer (24 h).
- 3) Pressure regulator screw.
- 4) Timer function selector:
 - clock: timer mode (programmable).
 - hand: room thermostat controlled operation.
 - zero: appliance shut down, only the clock still runs.
- 5) Room thermostat knob.
- 6) Tangential fan On/Off.



ECO SE

- 1) Room thermostat knob.
- 2) Timer (24 h).
- 3) Timer function selector:
 - clock: timer mode (programmable).
 - hand: room thermostat controlled operation.
 - zero: appliance shut down, only the clock still runs.
- 4) MIN/MAX power button
- 5) On/Off/Reset button.
- 6) Operational status led.
- 7) Fan on led (the fan only runs automatically when the appliance is set to MAX power).



COMMISSIONING

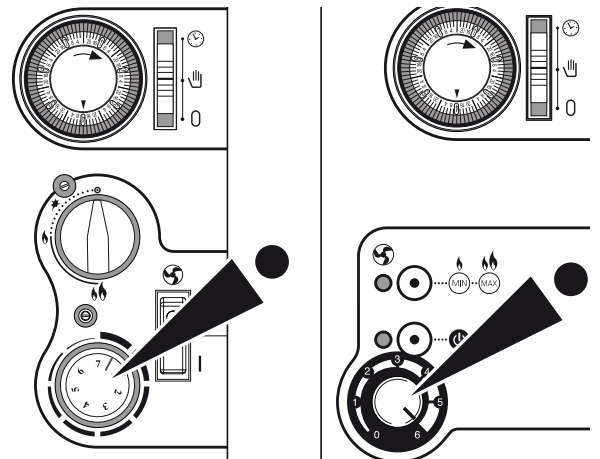
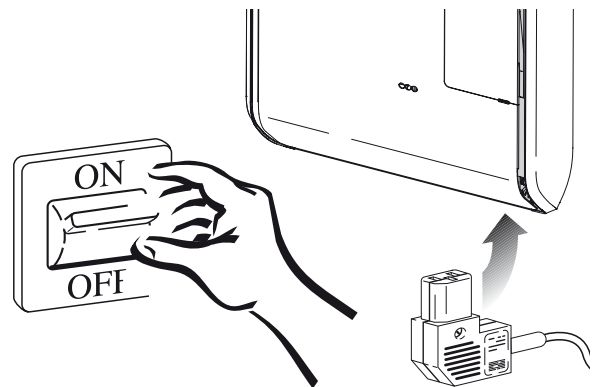
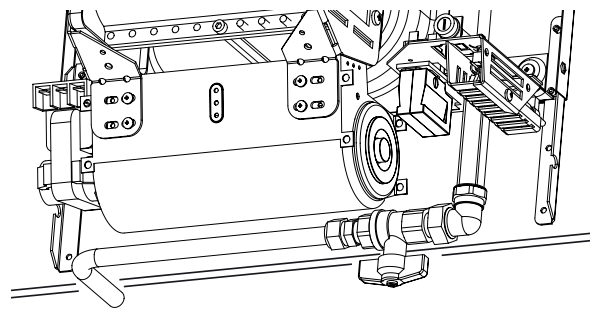
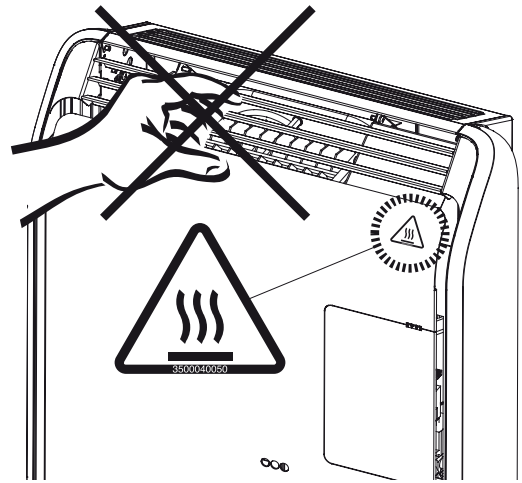
WARNING! Do not touch the fins hot air outlet to avoid serious burns.

The heater must be commissioned by technical service, after which the user can operate it as he wishes: manual or automatic, thermal power from MIN to MAX, with the fan on or off.

The user may need to restart the heater himself, without contacting Technical Service, for instance after being away for a period of time or after prolonged disuse.

In such cases, proceed as follows:

- Check that the gas cock is open;
- Set the master switch, if present, to ON, or fit the power socket into the appliance's plug (fan/timer models);
- Check that the mains power plug (fan/timer models only) is fitted into the wall socket in the right orientation (phase-neutral);
- Set the room thermostat to MAX to minimise the time the heater takes to heat up;



ECO SC / SV

- Position the Timer switch to manual (if present);

- Turn the heater on:

- Turn the thermostat knob to 7 (maximum setting)

- Hold down the ignition/command knob and turn it 1/4 turn counterclockwise; keep holding it down and turn it from OFF to ignition (spark) and pilot (small flame); You should hear the spark clicking repeatedly during ignition.


- When the pilot is on, hold the ignition/command knob down for a few more seconds and then release it; check that the pilot stays on.

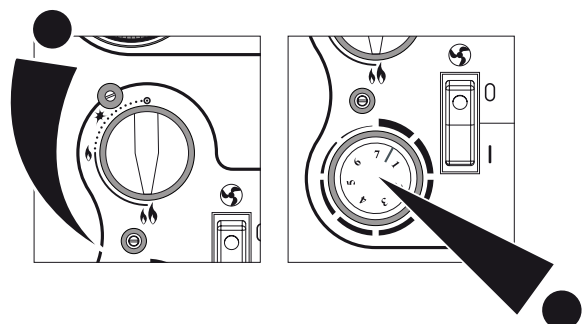
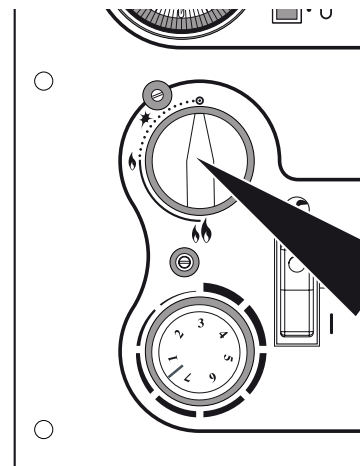
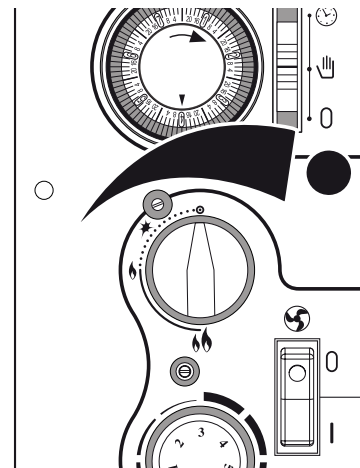
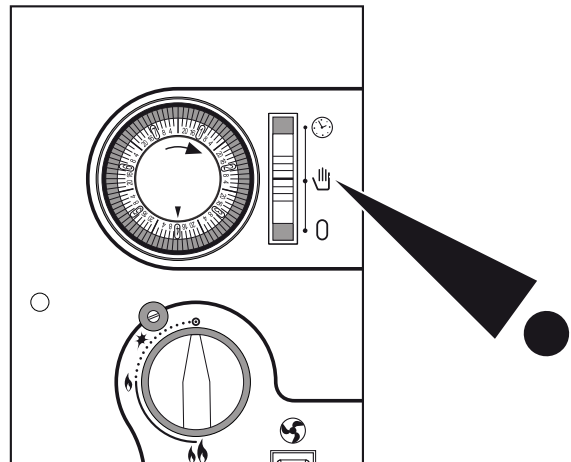
- When the pilot is stably on, turn the knob to the main burner ignition position (small flame + large flame) and check that the burner ignites.

- Turn the thermostat knob to your preferred setting: 1 = MIN and 7 = MAX

- The burner will stay on (changing its power automatically) until it reaches the temperature setting, at which point the burner will turn off leaving only the pilot still on, ready to ignite the burner again as soon the temperature falls.

If you experience problems with ignition or operation, or the pilot light goes out, the heater will go into SHUTDOWN mode, and will automatically shut off the gas supply. Wait for 1 minute for the thermocouple interlock to cool down before repeating the ignition procedure.

 This operation can only be repeated 3 times. If the heater doesn't start after three attempts, set the master switch to OFF and contact Technical Service.



ECO SE

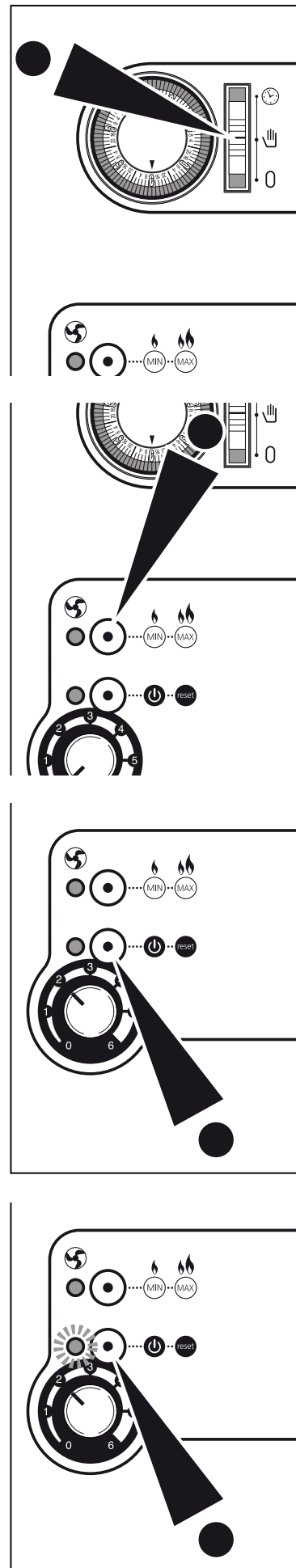
- Set the Timer switch to manual;

- Press the heating power selector button:
 - MIN = minimum power
 - MAX = maximum power

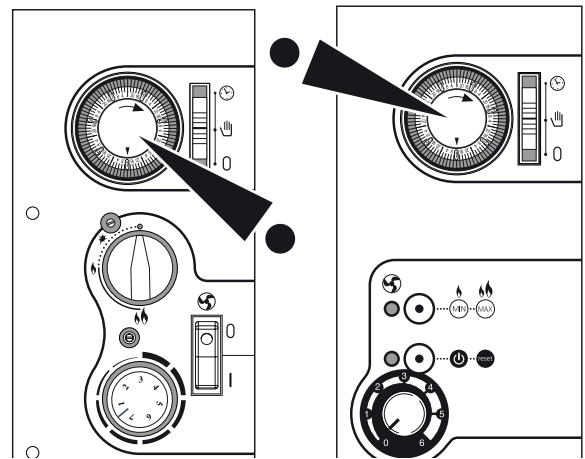
- Turn on the master switch on the control panel (the power led turns on).
The heater will start up and will run until it reaches the set room temperature (the operating led on the control panel will go out).

- In case of malfunction, the appliance will go into SHUTDOWN and the red reset led will turn on. To reset the appliance, press the RESET button and wait for the startup process to complete; when it has done so, the operating led will turn on again.

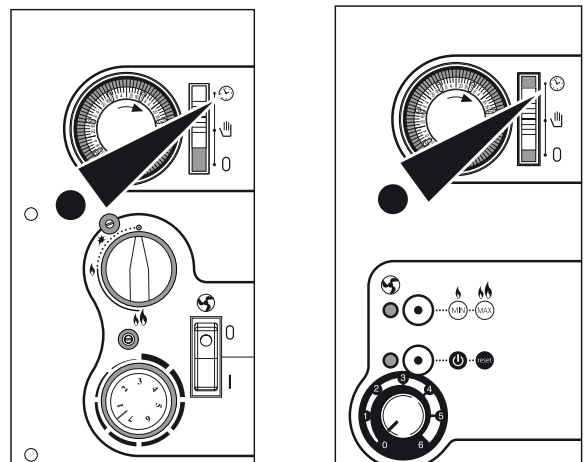
⚠ This operation can only be repeated 3 times. If the heater doesn't start after three attempts, set the master switch to OFF and contact Technical Service.



- Once the heater is running, set the clock to the local time and the timer for automatic operation (see the timer instructions)



- To run the heater in automatic mode, simply set the function selector, if present, to timer



SETTING THE CLOCK AND TIMER (IF PRESENT)

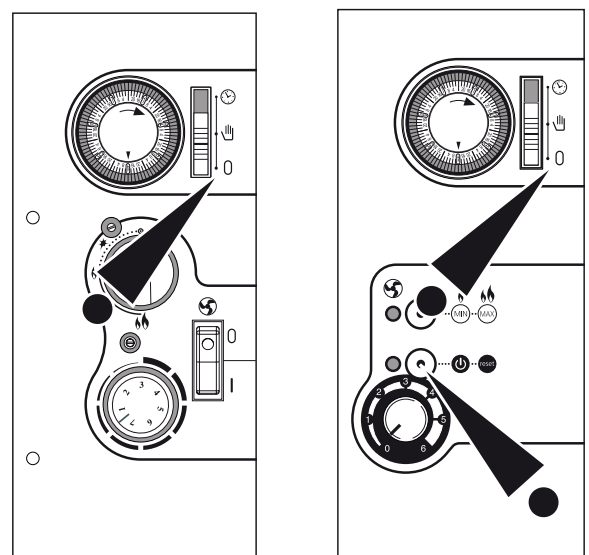
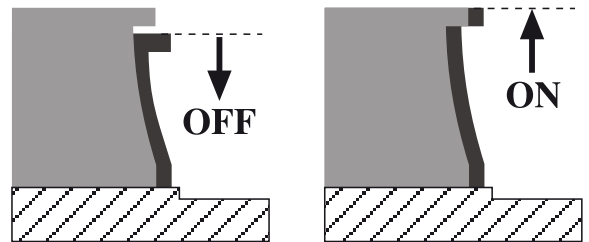
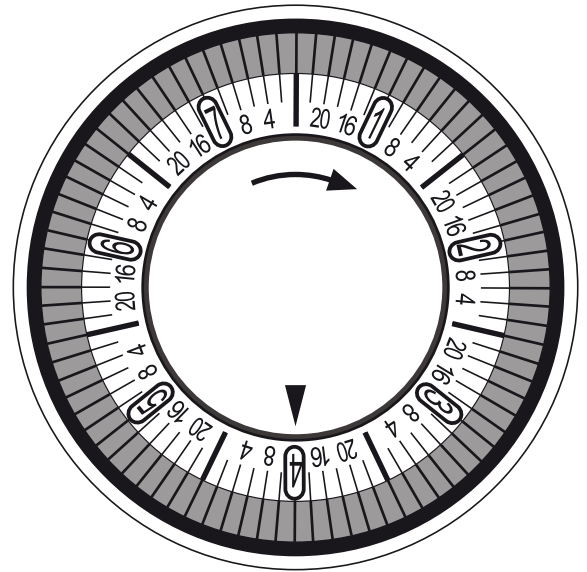
First set the time, and then the periods during which the heater will be on and off.

- To set the local time:
Turn the clock dial (clockwise only) until the local time matches the indicator on the control panel.
- To set the heater's operating times (ON):
Gently move up (model SV-SE) the segments corresponding to the time periods in which you wish the heater to heat the room.
- To set the heater's stop times (OFF):
Gently move down (model SV-SE) the segments corresponding to the time periods in which you wish the heater to stay off.

The heater can be stopped with the function selector (set to 0) or with the master switch on the control panel.

In the first case, the clock continues running; in the second case the clock stops and you must set the local time again when you turn the appliance back on.

Note, model SV: when the appliance is switched off by the timer, the main burner goes out, but the pilot light stays on

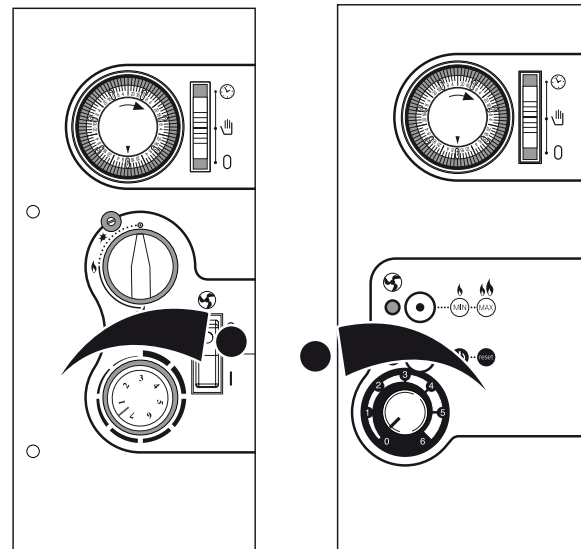


SETTING THE ROOM THERMOSTAT

You may need to adjust the room temperature setting in relation to the outdoors temperature. Simply set the room thermostat by moving the knob towards MAX to increase the setting or MIN to reduce it.

Once the new setting is done, wait for the heater to complete a cycle and check whether you have achieved the desired temperature comfort in the room.

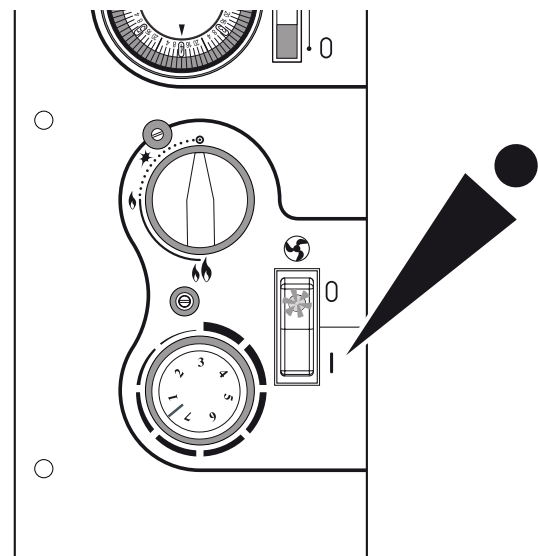
Repeat until you are satisfied.



STARTING THE TANGENTIAL FAN (SV models ONLY).

Set the fan switch, if present, to “ON 1”; the fan led on the button will turn on.

Note: the fan will start running only after the fan thermostat has tripped, which happens only when the air inside the heater is warm enough!



LONG PERIODS OF DISUSE

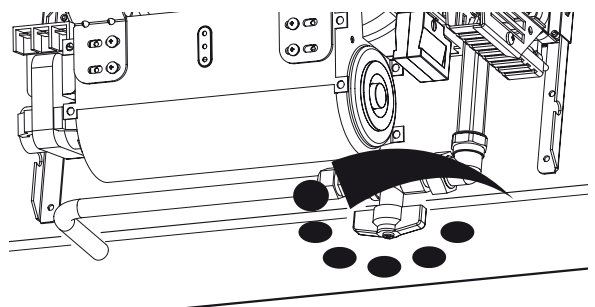
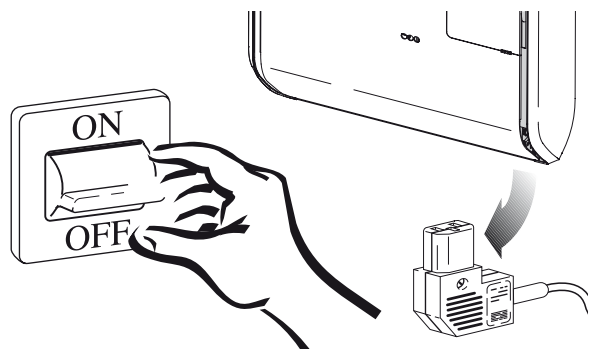
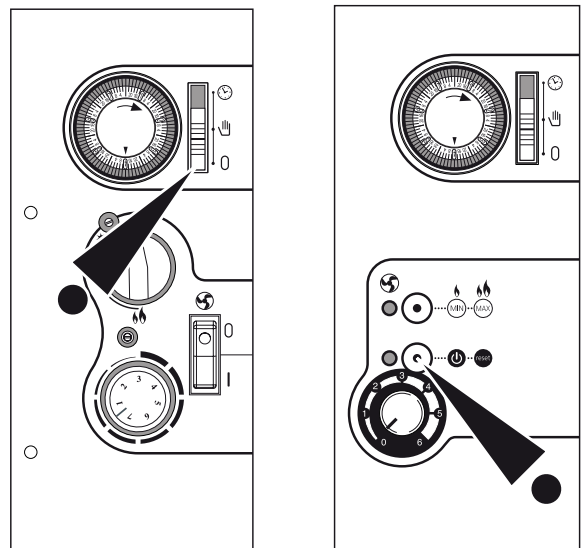
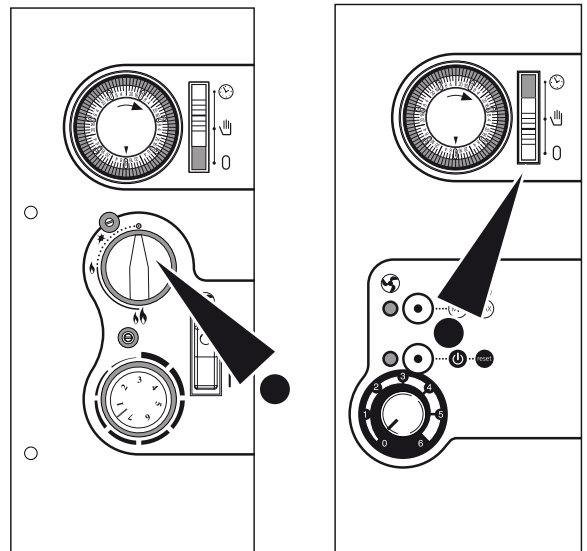
If the convection heater is not used for a long time, the following procedure must be completed:

- **SC/SV** - Set the ignition/command knob to “0” (if present);
- **SE** - Set the function selector to 0 (if present);

- **SC/SV** - Set the fan switch, if present, to “OFF 0”;
- **SE** - Press the master switch on the control panel (led off);

- Set the master electrical circuit switch, if present, to OFF or pull the plug on the appliance;

- Close the gas cock.



CLEANING

The only part of the heater which requires cleaning by the user is its jacket.


Before doing so:


- set the master switch on the control panel to OFF, set the master switch of the installation (if present) to OFF or pull its power plug;
- Wait for the heater to cool down completely.

Clean all accessible parts to remove any dust, cobwebs and similar dirt.

Use compressed air to blow off any dust in hard to reach areas.

Do not use solvents or abrasive detergents to clean the plastic or painted surfaces; use neutral detergents to do so. Do not grease synthetic parts.

 To clean the jacket, use a soft cloth and a neutral household cleaning product (car shampoo, for instance).

 Do not pour fluids onto the jacket or other areas of the appliance, doing so can seriously damage it.

MAINTENANCE

Please note that ROUTINE MAINTENANCE is critical to keeping the heater safe, efficient, reliable and long-lasting.

This should be done, once a year before the cold season, by the manufacturer's Technical Service or a qualified gas equipment technician.

TROUBLESHOOTING

Eco SC / SV

- No electrical power:


If the power led does not turn on when you press the fan switch, or the clock quadrant does not move after a while, check that the appliance's plug is properly inserted into the mains socket and that the system's master switch is set to ON. If this fails, contact Technical Service.

- SHUTDOWN:

Check that the gas cock is open.

Check that gas is available (canister empty).

Wait for 1 minute for the thermocouple interlock to cool down before repeating the ignition procedure from the beginning.

 This operation can only be repeated 3 times. If the heater doesn't start after three attempts, set the master switch to OFF and contact Technical Service.

Eco SE

- No electrical power:

If the power led does not turn on when you press the fan switch, check that the appliance's plug is properly inserted into the mains socket and that the system's master switch, if present, is set to ON. If this fails, contact Technical Service.


- SHUTDOWN:

Check that the gas cock is open.

Check that gas is available (canister empty).

Check that the power plug is fit into the wall socket in the right orientation (phase-neutral);

To reset the appliance, press the RESET button and wait for the startup process to complete; when it has done so, the operating led will turn on again.

 This operation can only be repeated 3 times. If the heater doesn't start after three attempts, set the master switch to OFF and contact Technical Service.



ITALKERO S.r.l. . via Lumumba 2 . Zona Ind. Torrazzi . 41122 Modena . Italy . Tel +39 59 2550711 . FAX +39 059 4900500 . www.italkero.it

NOTA: Nel continuo perfezionamento del prodotto, le caratteristiche estetiche e dimensionali, i dati tecnici, gli equipaggiamenti e gli accessori, possono essere soggetti a variazione.

NOTE: Due to ongoing product upgrading, aesthetic and dimensional features, technical details, fittings and accessories could undergo changes and are not binding.

NOTE : En vue de l'amélioration continue des produits, les caractéristiques esthétiques et de taille, les données techniques, l'équipement et les accessoires peuvent être modifiés.

HINWEIS: Im Bestreben unsere Produkte kontinuierlich zu verbessern, können maßbezogene und ästhetische Eigenschaften, technische Daten, Ausrüstungen und Anlagen sowie Zubehörkomponenten Veränderungen unterworfen sein.