

e-MatriX | 800/650 II



DECORATION OPTIONS



Heating functionality:	Yes
Flue material:	-
Watts:	2250 W
Volts:	230-240 V
Water consumption:	0,15 l/h
Water pressure:	0,5-8 Bar
Water connection:	1/2" - 3/4" Inch



Specifications

Exterior dimensions WxHxD in mm
940 x 1008 x 535

Fire display WxHxD in mm
824 x 650 x 351

System
e-MatriX burner

Decoration
Log set / White Pebble / Acrylic Ice

Back walls
Back wall smooth steel

Remote
Via app and Bluetooth remote

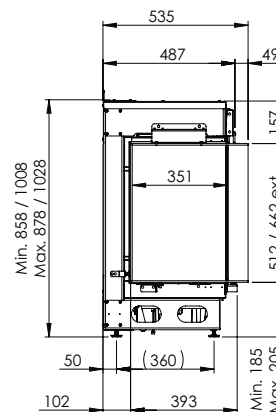
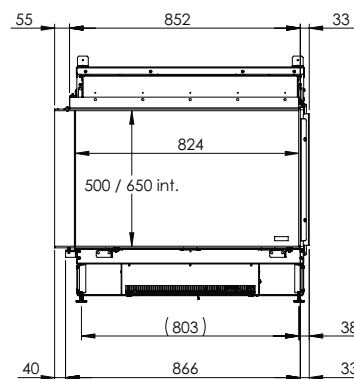
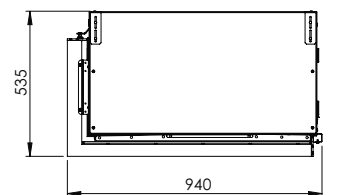
Power
2,0 kW

Operating system
-

Energy label
-

Options (at a surcharge)

- Non-reflective glass
- Black glass back wal
- Top Light
- Bottom Light
- Wall bracket
- Water pump



There is **so much to tell...**